



# Simple, robust magnetic ballast

## HID-Basic ballasts for HPL and HPI(PLUS) lamps

The HID-Basic ballast is an impregnated (HID standard) electromagnetic ballast for HID lamps, for use in combination with an external ignitor.

### Benefits

- Limited volume of ballast coil; also lightweight
- Simple installation and cabling

### Features

- Orthocyclic winding process
- Ballasts equipped with screw terminal blocks as standard
- Earthing-while-mounting facility (HID Standard ballasts)
- Low wattage losses

### Application

- For built-in applications for road and public lighting with HPL, HPI and HPI (Plus) lamps
- HID-Basic ballasts should be restricted to built-in situations where relative humidity is limited.

# HID-Basic ballasts for HPL and HPI(PLUS) lamps

## Versions

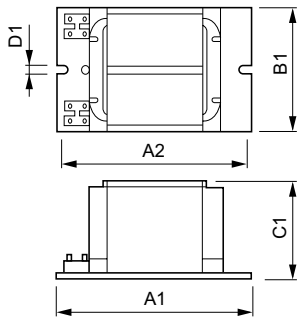
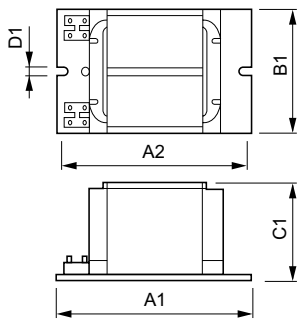


BHL 250L 200



BHLE 250L 200 TS

## Dimensional drawing



Product	D1	C1	A1	A2	B1
BHLE 250L 200 TS	6.2 mm	64.5 mm	165.0 mm	144.0 mm	75.5 mm
BHLE 400L 200 TS	6.2 mm	64.5 mm	165.0 mm	144.0 mm	75.5 mm
BHLA 125L 200	6.3 mm	64.5 mm	120.0 mm	100.0 mm	75.0 mm

Product	D1	C1	A1	A2	B1
BHL 250L 200	6.2 mm	64.5 mm	125.0 mm	110.0 mm	75.5 mm
BHL 400L 200	6.2 mm	64.5 mm	150.0 mm	135.0 mm	75.5 mm



## HID-Basic ballasts for HPL and HPI(PLUS) lamps

### Operating and Electrical

Input Frequency	50 Hz
Input Voltage	220 V

### System characteristics

Order Code	Full Product Name	Rated Ballast-Lamp Power
913710100442	BHL 250L 200	250 W
913710100542	BHL 400L 200	400 W
913713017242	BHLE 250L 200 TS	250 W

Order Code	Full Product Name	Rated Ballast-Lamp Power
913713017342	BHLE 400L 200 TS	400 W
913713018659	BHLA 125L 200	125 W

