



GreenUp Lowbay G2

BY288X PIR Sensor

Good lighting is essential in industrial workspaces and large indoor areas. The wrong choice of lights or a lighting not correctly planned can lead to eye strain, fatigue, and poor performance, compromising safety and productivity. The Philips GreenUp Lowbay G2 luminaire is a simple LED solution which efficiently illuminates work areas, creating a brighter and better work, retail or sporting environment. With its crisp, white light and high colour rendering index coupled with energy efficiency, high visibility and enhances safety 24/7. Equipped with motion detection function, this easy-to-install and low-maintenance lighting solution is suitable for a variety of applications.

Product data

General Information	
Protection class IEC	-
CE mark	-
Material	Polycarbonate
Constant light output	No
Colour	Grey

Operating and Electrical	
Input Voltage	- V
Input frequency	- Hz

Mechanical and Housing	
Overall height	43 mm
Overall diameter	61 mm
Colour	Grey
Dimensions (height x width x depth)	43 x NaN x NaN mm (1.7 x NaN x NaN in)

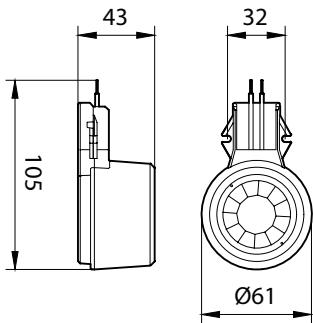
Approval and Application	
Ingress protection code	IP20 [Finger-protected]
Mech. impact protection code	IK01 [0.15 J]

Product Data	
Full product code	911401517331
Order product name	BY288X PIR Sensor
Order code	911401517331
SAP numerator – quantity per pack	1
Numerator – packs per outer box	1
SAP material	911401517331
Net Weight (Piece)	0.060 kg



GreenUp Lowbay G2

Dimensional drawing



BY288X GreenUp Lowbay G2 acc.

