



# Dynalite Integration Devices

## DDNGKNX

KNX Network Gateway providing high level KNX integration

KNX Network Gateway providing high level KNX integration

### Product data

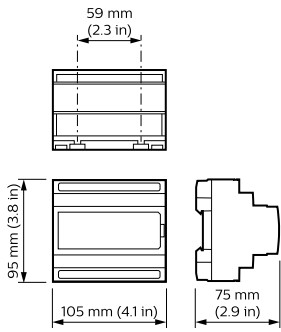
General Information	
CE mark	CE mark
Remarks	Please download the Lighting - Product Data Sheet for more information and ordering options
EU RoHS compliant	Yes

Product Data	
Full product code	871016352342200
Order product name	DDNGKNX

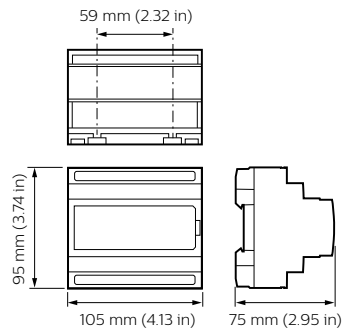
EAN/UPC – product	8710163523422
Order code	913703080509
SAP numerator – quantity per pack	1
Numerator – packs per outer box	1
SAP material	913703080509
SAP net weight (piece)	0.150 kg

# Dynalite Integration Devices

## Dimensional drawing



DDNGKNX



DDNGKNX

