

# EB-Certalume for TL-D lamps

## EB-Ci 1-2 36W / 1-4 18W 220-240V 50/60Hz

Affordable, reliable, high-frequency electronic ballast for TL-D fluorescent lamps, ideal alternative to electromagnetic fluorescent systems. The cost-saving and reliable EB-C has energy efficiency class A2, and its robust design meets all necessary international standards for safety and EMC. The ballast is primarily designed for indoor use. For outdoor use, the luminaire should be minimum Class II and be sufficiently protected against water and dust. The installation should also be protected against lightning surges or any other electrical protection deemed necessary in this type of installation and application.

### Product data

General Information		Earth leakage current (max.)	
Lamp type	TL-D		0.5 mA
Number of lamps	1-4 piece/unit	Inrush current width	0.35 ms
Suitable for outdoor use	No	Ballast factor (nom.)	1
Number of products on MCB (16 A type B) (max.)	28	Power factor (max.)	0.98
Automatic restart	Yes	Power factor (min.)	0.90
		Input power (max.)	70.2 W
		Input power (min.)	21.3 W
		Power losses (max.)	6.2 W
		Power losses (nom.)	3.3 W
		Inrush current peak (max.)	19 A
		Rated lamp power	18-36 W
Operating and Electrical		Wiring	
Input Voltage	220-240 V	Connector type input terminals	Insert
Input frequency	50 or 60 Hz	Cable capacity output wires mutual (max.)	150 pF
Operating frequency (nom.)	42-60 kHz	Connector type output terminals	Insert
Ignition method	Warm Start	Cable length hot-wiring	0.75 m
Crest factor (max.)	1.7		
Ignition time (nom.)	2.0 s		
Mains voltage performance (AC)	-10% - +10%		
Mains voltage safety (AC)	198...264V		

## EB-Certalume for TL-D lamps

Wire strip length	7.5-8.5 mm
Input terminal cross section	0.50-1.50 mm <sup>2</sup>
Output terminal cross section	0.50-1.50 mm <sup>2</sup>
Cable capacity output wires to earth (max.)	150 pF
Connector type	Insert

### System characteristics

Rated lamp power on TL-D	18-36 W
System power on TL-D	21.3-68.2 W
Lamp power on TL-D	18.0-31.0 W
Power loss on TL-D	3.3-6.2 W

### Temperature

T-ambient (max.)	50 °C
T case lifetime (max.)	75 °C
T-Case maximum (max.)	75 °C
T-Ignition (max.)	50 °C
T-Ignition (min.)	-10 °C

### Mechanical and Housing

Housing material	Plastic
Housing	L210x30x26mm

### Emergency Operation

Battery voltage lamp ignition	165-253 V
-------------------------------	-----------

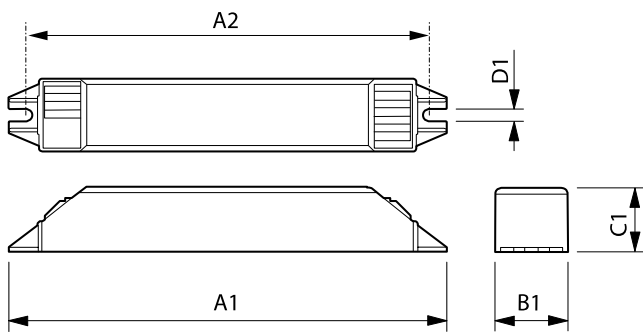
### Approval and Application

Energy efficiency index	A2
IP classification	IP 20 [ Ingress Protection 20]
EMI 9 kHz ... 30 MHz	EN55015
EMI 30 MHz ... 1,000 MHz	EN 55015
Environmental standard	ISO 14001
Vibration standard	IEC60068-2-6 F c
Bumps standard	Not specified
Approval marks	CB Certificate CCC certificate TISI marking PSB certification RCM compliance
Temperature marking	Yes
Humming and noise level	< 30 dB(A)

### Product Data

Full product code	694793913353600
Order product name	EB-Ci 1-2 36W / 1-4 18W 220-240V 50/60Hz
EAN/UPC – product	6947939133536
Order code	913713043180
SAP numerator – quantity per pack	1
Numerator – packs per outer box	30
SAP material	913713043180
SAP net weight (piece)	0.080 kg

### Dimensional drawing



EB-Ci 1-2 36W / 1-4 18W 220-240v 50/60Hz

Product	A1	A2	B1	C1	D1
EB-Ci 1-2 36W / 1-4 18W 220-240V 50/60Hz	210 mm	200 mm	30 mm	26 mm	4.3 mm

## EB-Certalume for TL-D lamps

