

# EB-Certalume for TL5 lamps

## EB-Ci 1-2 14-28W 220-240V 50/60 Hz

Affordable, reliable, high frequency electronic ballast for TL5 fluorescent lamps, ideal alternative for electromagnetic (EM) ballasts

### Product data

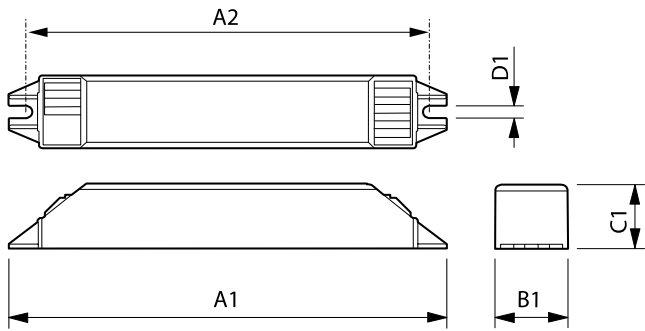
General Information	
Number of Lamps	1-3 piece/unit
Operating and Electrical	
Input Voltage	220-240 V
Input Frequency	50 or 60 Hz
Earth Leakage Current (Max)	0.5 mA
Inrush Current Width	0.224 ms
Inrush Current Peak (Max)	17 A
Number of Products on MCB (16A Type B) (Max)	30
Wiring	
Connector Type Input Terminals	Insert
Connector Type Output Terminals	Insert
Connector Type	Insert
Temperature	
T-Case Lifetime (Max)	75 °C
T-Case Maximum (Max)	75 °C

Mechanical and Housing	
Housing Material	Plastic
Housing	L210x30x26mm
Approval and Application	
Ingress protection code	IP20 [Finger-protected]
Energy Efficiency Index	A2
Safety Standard	IEC 61347-2-3, IEC 61347-1
Environmental Standard	ISO 14001
Approval Marks	CB Certificate CCC certificate TISI marking PSB certification RCM compliance SNI Certificate CS Compliance IRAM Compliance

Product Data	
Full product code	694793913355000
Order product name	EB-Ci 1-2 14-28W 220-240V 50/60 Hz
Order code	913713043280
Numerator - Quantity Per Pack	1
Numerator - Packs per outer box	30
Material number (12NC)	913713043280
Full product name	EB-Ci 1-2 14-28W 220-240V 50/60 Hz
EAN/UPC - Case	6947939133567

## EB-Certalume for TL5 lamps

### Dimensional drawing



Product	A1	A2	B1	C1	D1
EB-Ci 1-2 14-28W 220-240V 50/60 Hz	210 mm	200 mm	30 mm	26 mm	4.3 mm

