



Essential LEDspot MR16

Essential LED 5-50W 6500K MR16 24D

Essential LEDspots MR16 are compatible with most existing fixtures with a GU5.3 socket and are designed as a retrofit replacement for halogen spots. Essential LEDspots MR16 deliver significant energy savings and minimise the initial investment.

Product data

General Information	
Cap base	GU5.3 [GU5.3]
EU RoHS compliant	Yes
Nominal lifetime (nom.)	15000 h
Switching cycle	50,000X
Technical type	5-50W
Light Technical	
Colour Code	865 [CCT of 6,500 K]
Technical Beam Angle (Nom)	24 °
Lamp Luminous Flux 25°C EL (Nom)	435 lm
Luminous intensity (nom.)	1700 cd
Colour Designation	Cool Daylight
Colour Temperature, horizontal (Nom)	6500 K
Lamp Luminous Efficacy EM (Nom)	87.00 lm/W
Colour consistency	<6
Colour Rendering Index,horiz (Nom)	80
LLMF at end of nominal lifetime (nom.)	70 %

Operating and Electrical	
Input frequency	- Hz
Power (Rated) (Nom)	5 W
Lamp current (nom.)	580 mA
Wattage equivalent	50 W
Starting time (nom.)	0.5 s
Warm-up time to 60% light (nom.)	1 s
Power factor (nom.)	0.5
Voltage (Nom)	12 V
Temperature	
T-Case maximum (nom.)	76 °C
Controls and Dimming	
Dimmable	No
Mechanical and Housing	
Bulb shape	MR16 [2inch/50mm]

Essential LEDspot MR16

Approval and Application

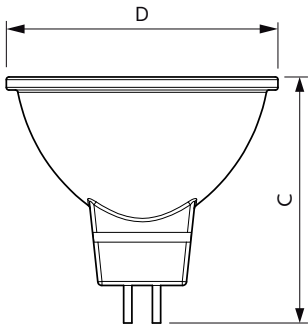
Suitable for accent lighting	Yes
Energy consumption kWh/1,000 hours	- kWh

Product Data

Full product code	871869657957200
Order product name	Essential LED 5-50W 6500K MR16 24D
EAN/UPC – product	8718696579572

Order code	929001240208
SAP numerator – quantity per pack	1
Numerator – packs per outer box	10
SAP material	929001240208
SAP net weight (piece)	0.045 kg

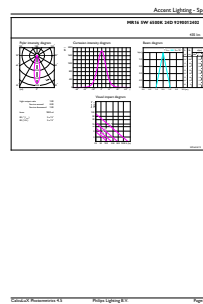
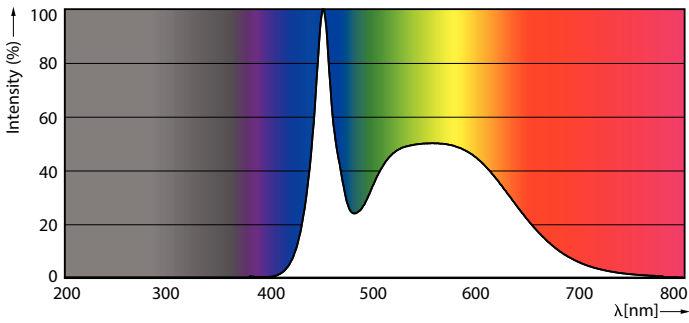
Dimensional drawing



Essential LED 5-50W 6500K MR16 24D

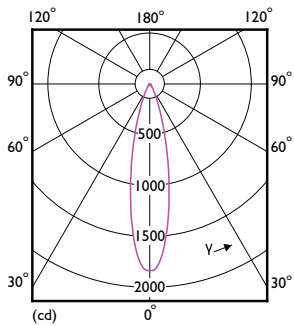
Product	D	C
Essential LED 5-50W 6500K MR16 24D	50 mm	46 mm

Photometric data



Spectral Power Distribution Colour

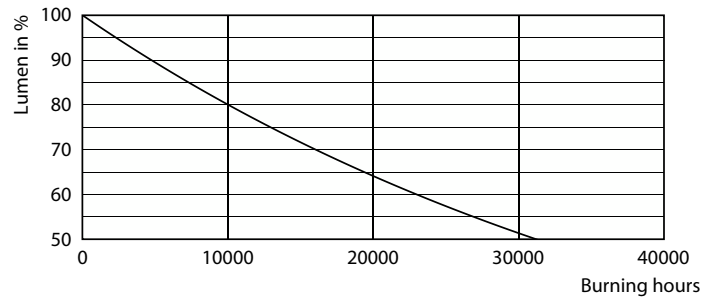
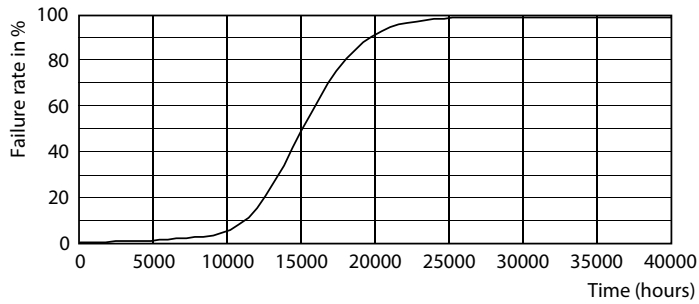
Accent Lighting Spots



Light Distribution Diagram

Essential LEDspot MR16

Lifetime



15K LED

15K LMP

