



Essential LEDspot MR16

ESS LED MR16 3-35W 36D 830 SO 100-240V

Essential LEDspots MR16 are compatible with most existing fixtures with a GU5.3 socket and are designed as a retrofit replacement for halogen spots. Essential LEDspots MR16 deliver significant energy savings and minimise the initial investment.

Product data

| General Information | |
|--|-----------------------|
| Cap base | GU5.3 [GU5.3] |
| EU RoHS compliant | Yes |
| Nominal lifetime (nom.) | 15000 h |
| Switching cycle | 50,000X |
| Technical type | 3-35W |
| Light Technical | |
| Colour Code | 830 [CCT of 3,000 K] |
| Technical Beam Angle (Nom) | 36 ° |
| Lamp Luminous Flux 25°C EL (Nom) | 230 lm |
| Luminous intensity (nom.) | 550 cd |
| Colour Designation | White (WH) |
| Colour Temperature, horizontal (Nom) | 3000 K |
| Lamp Luminous Efficacy EM (Nom) | 76.00 lm/W |
| Colour consistency | <6 |
| Colour Rendering Index,horiz (Nom) | 80 |
| LLMF at end of nominal lifetime (nom.) | 70 % |

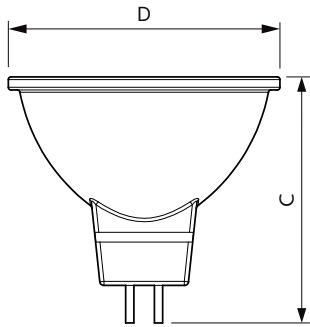
| Operating and Electrical | |
|----------------------------------|--------------------|
| Input frequency | 50 to 60 Hz |
| Power (Rated) (Nom) | 3 W |
| Wattage equivalent | 35 W |
| Starting time (nom.) | 0.5 s |
| Warm-up time to 60% light (nom.) | 0.5 s |
| Power factor (nom.) | 0.4 |
| Voltage (Nom) | 100-240 V |
| Temperature | |
| T-Case maximum (nom.) | 55 °C |
| Controls and Dimming | |
| Dimmable | No |
| Mechanical and Housing | |
| Bulb shape | MR16 [2inch/50mm] |
| Approval and Application | |
| Suitable for accent lighting | Yes |

Essential LEDspot MR16

| | |
|------------------------------------|--|
| Energy consumption kWh/1,000 hours | 3 kWh |
| Product Data | |
| Full product code | 871869680915000 |
| Order product name | ESS LED MR16 3-35W 36D 830 SO 100-240V |
| EAN/UPC – product | 8718696809150 |
| Order code | 929001874208 |

| | |
|-----------------------------------|--------------|
| SAP numerator – quantity per pack | 1 |
| Numerator – packs per outer box | 10 |
| SAP material | 929001874208 |
| SAP net weight (piece) | 0.040 kg |

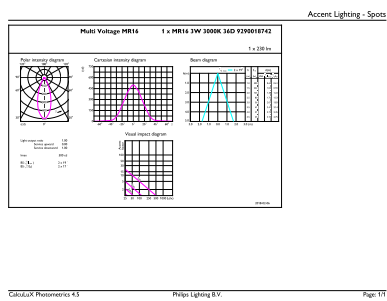
Dimensional drawing



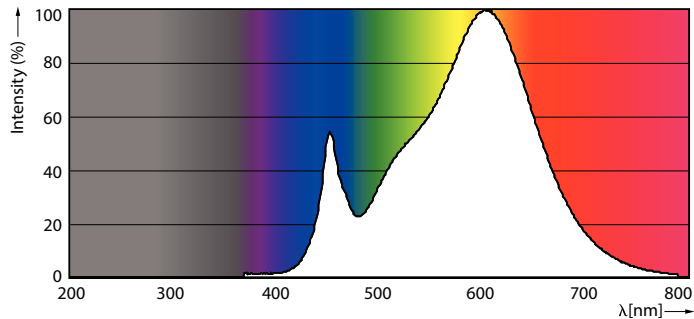
MR16 100-240V 3W-W 230lm 3000K GU5.3

| Product | D | C |
|--|---------|---------|
| ESS LED MR16 3-35W 36D 830 SO 100-240V | 50.5 mm | 46.5 mm |

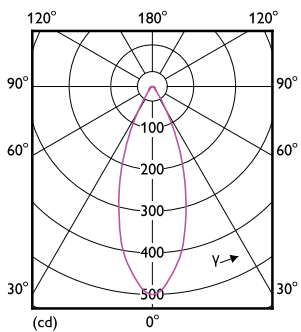
Photometric data



3-35W GU5-3 MR16 36D 830 3000K



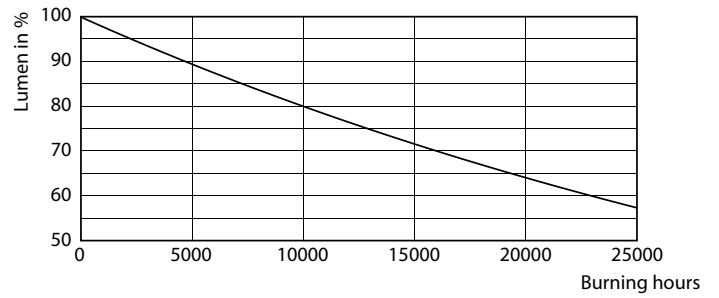
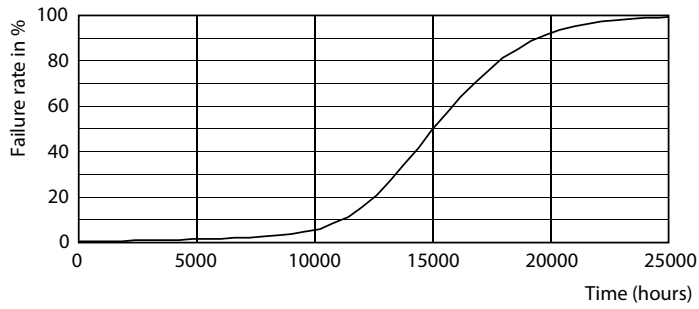
3-35W GU5-3 MR16



3-35W GU5-3 MR16 36D 865 6500K

Essential LEDspot MR16

Lifetime



50W GU5-3 MR16

50W GU5-3 MR16

