



# MASTER LEDspot LV AR111

## MAS LED ExpertColor 11-50W 927 AR111 40D

Delivering a warm, halogen-like accent beam, MASTER LEDspot LV AR111 is an ideal retrofit solution for spot and general lighting applications in the hospitality and retail industry. It is particularly suitable for general lighting where the light is on all the time, such as creative accent lighting applications in shops, restaurants, hotels, and especially for galleries, exhibitions and museums. The robustly designed MASTER LEDspot LV AR111 offers various beam angles for a clearly defined beam spread. There is no UV or IR in the beam, making it suitable for illuminating heat-sensitive objects (food, organic materials, paintings, etc.). The patented intelligent driver enables broad compatibility with existing electromagnetic and electronic halogen transformers. MASTER LEDspot LV AR111 delivers huge energy savings and minimises maintenance cost without any reduction in brightness.

### Product data

| General Information                  |                       |
|--------------------------------------|-----------------------|
| Cap base                             | G53 [ G53]            |
| EU RoHS compliant                    | Yes                   |
| Nominal lifetime (nom.)              | 40000 h               |
| Switching cycle                      | 50,000X               |
| Technical type                       | 11-50W                |
| Light Technical                      |                       |
| Colour Code                          | 927 [ CCT of 2,700 K] |
| Technical Beam Angle (Nom)           | 40 °                  |
| Lamp Luminous Flux 25°C EL (Nom)     | 650 lm                |
| Luminous intensity (nom.)            | 1300 cd               |
| Colour Designation                   | Warm white (WW)       |
| Colour Temperature, horizontal (Nom) | 2700 K                |

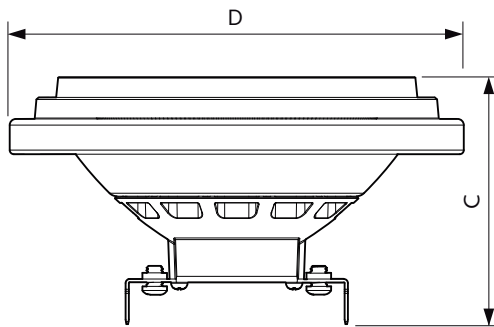
| Lamp Luminous Efficacy EM (Nom)        | 59,00 lm/W |
|--|------------|
| Colour consistency                     | <4         |
| Colour Rendering Index,horiz (Nom)     | 97         |
| LLMF at end of nominal lifetime (nom.) | 70 %       |
| Operating and Electrical               |            |
| Input frequency                        | - Hz       |
| Power (Rated) (Nom)                    | 11 W       |
| Lamp current (nom.)                    | 1300 mA    |
| Wattage equivalent                     | 50 W       |
| Starting time (nom.)                   | 0.5 s      |
| Warm-up time to 60% light (nom.)       | 0.5 s      |
| Power factor (nom.)                    | 0.7        |

# MASTER LEDspot LV AR111

|                                 |                    |
|---------------------------------|--------------------|
| <b>Voltage (Nom)</b>            | ac electronic 12 V |
| <b>Temperature</b>              |                    |
| T-Case maximum (nom.)           | 70 °C              |
| <b>Controls and Dimming</b>     |                    |
| Dimmable                        | Yes                |
| <b>Mechanical and Housing</b>   |                    |
| Bulb shape                      | AR111              |
| <b>Approval and Application</b> |                    |
| Suitable for accent lighting    | Yes                |

|   |  |
|---|--|
| <b>Energy consumption kWh/1,000 hours</b> | 13 kWh                                   |
| <b>Product Data</b>                       |  |
| Full product code                         | 871869969087800                          |
| Order product name                        | MAS LED ExpertColor 11-50W 927 AR111 40D |
| EAN/UPC – product                         | 8718699690878                            |
| Order code                                | 929002238808                             |
| SAP numerator – quantity per pack         | 1  |
| Numerator – packs per outer box           | 6  |
| SAP material                              | 929002238808                             |
| SAP net weight (piece)                    | 0.160 kg                                 |

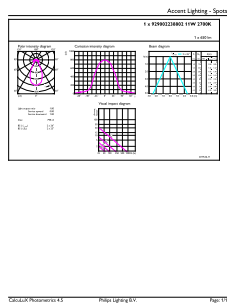
## Dimensional drawing



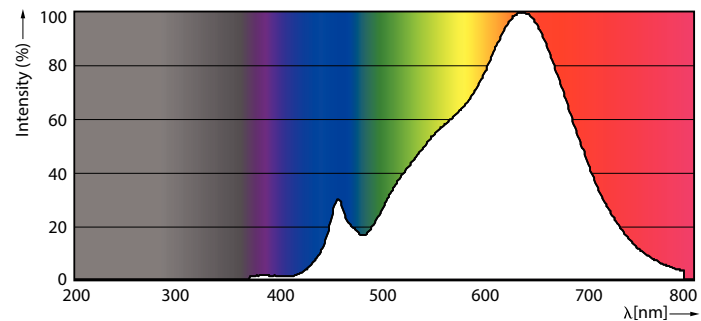
AR111 12V 11-50W 650lm 40D 2700K G53 D

| Product                                  | D      | C     |
|--|--------|-------|
| MAS LED ExpertColor 11-50W 927 AR111 40D | 111 mm | 62 mm |

## Photometric data



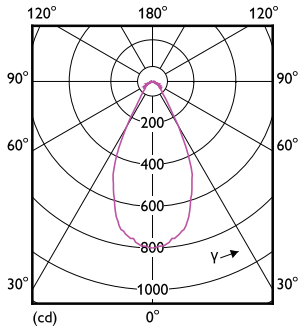
LEDspots 50W G53 AR111 927 40D



LEDspots 50W G53 AR111 927

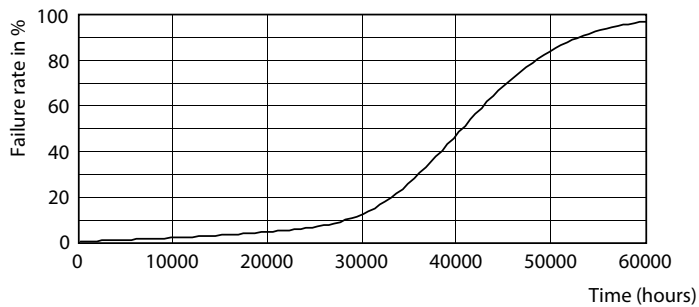
# MASTER LEDspot LV AR111

## Photometric data

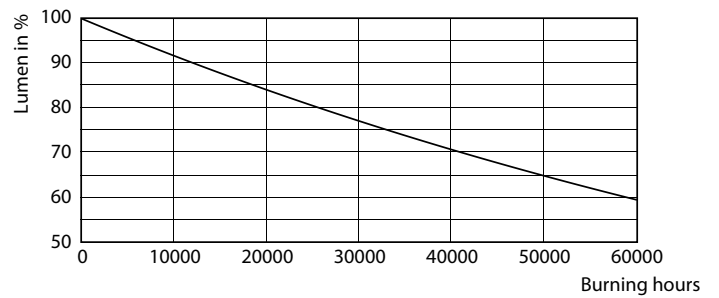


LEDspots 50W G53 AR111 927 40D

## Lifetime



LEDspots LED 40K



LEDspots LMP 40K

