



MASTER LEDspot LV AR111

MAS LED SpotLV 20-100W 927 AR111 40D

Delivering a warm, halogen-like accent beam, MASTER LEDspot LV AR111 is an ideal retrofit solution for spot and general lighting applications in the hospitality and retail industry. It is particularly suitable for general lighting where the light is on all the time, such as creative accent lighting applications in shops, restaurants, hotels, and especially for galleries, exhibitions and museums. The robustly designed MASTER LEDspot LV AR111 offers various beam angles for a clearly defined beam spread. There is no UV or IR in the beam, making it suitable for illuminating heat-sensitive objects (food, organic materials, paintings, etc.). The patented intelligent driver enables broad compatibility with existing electromagnetic and electronic halogen transformers. MASTER LEDspot LV AR111 delivers huge energy savings and minimises maintenance cost without any reduction in brightness.

Product data

General information		Colour consistency	
Cap base	G53 [G53]	Colour consistency	<4
EU RoHS compliant	Yes	Colour Rendering Index,horiz (Nom)	91
Nominal lifetime (nom.)	25000 h	LLMF at end of nominal lifetime (nom.)	70 %
Technical type	20-100W	Operating and electrical	
Light technical		Input frequency	- Hz
Colour Code	927	Power (Rated) (Nom)	20 W
Technical Beam Angle (Nom)	40 °	Lamp current (nom.)	2400 mA
Lamp Luminous Flux 25°C EL (Nom)	1200 lm	Wattage equivalent	100 W
Luminous intensity (nom.)	2000 cd	Starting time (nom.)	0.5 s
Colour Designation	Warm white (WW)	Warm-up time to 60% light (nom.)	0.5 s
Colour Temperature, horizontal (Nom)	2700 K	Power factor (nom.)	0.7
Lamp Luminous Efficacy EM (Nom)	60.00 lm/W	Voltage (Nom)	ac electronic 12 V

MASTER LEDspot LV AR111

Temperature

T-ambient (max.)	45 °C
T-ambient (min.)	-20 °C
T-Case maximum (nom.)	80 °C

Controls and dimming

Dimmable	Yes
----------	-----

Mechanical and housing

Bulb shape	AR111
------------	-------

Approval and application

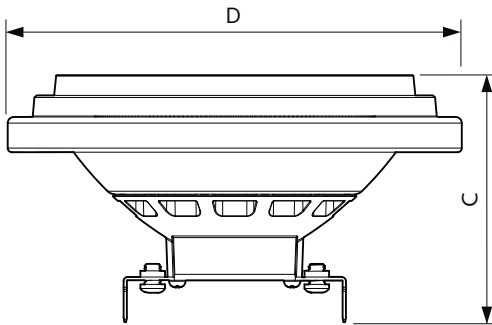
Suitable for accent lighting	Yes
------------------------------	-----

Energy consumption kWh/1,000 hours	22 kWh
------------------------------------	--------

Product data

Full product code	871869969077900
Order product name	MAS LED SpotLV 20-100W 927 AR111 40D
EAN/UPC – product	8718699690779
Order code	929002240108
SAP numerator – quantity per pack	1
Numerator – packs per outer box	6
SAP material	929002240108
Net Weight (Piece)	0.160 kg

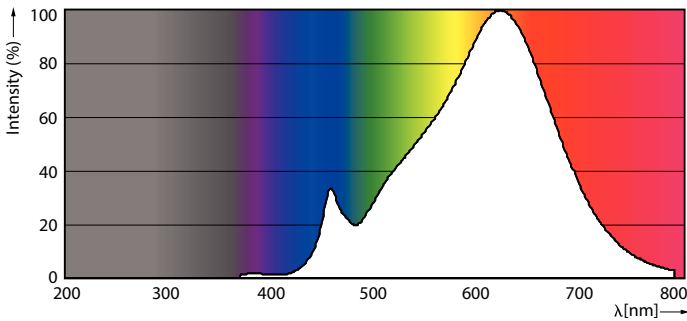
Dimensional drawing



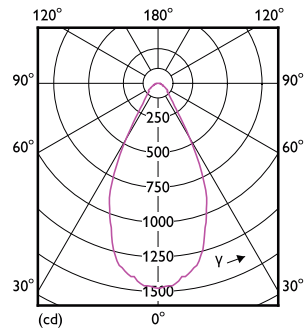
MAS LED SpotLV 20-100W 927 AR111 40D

Product	D	C
MAS LED SpotLV 20-100W 927 AR111 40D	111 mm	62 mm

Photometric data



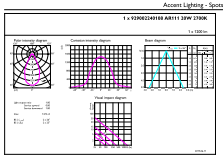
LEDspots 20W AR111 G53 927



LEDspots 20W AR111 G53 927 40D

MASTER LEDspot LV AR111

Photometric data



© Koninklijke Philips N.V. Philips Lighting B.V. Page 1/1

LEDspots 20W AR111 G53 927 40D

Lifetime



Life Expectancy Diagram



Lumen Maintenance Diagram

