



Dynalite Phase-Cut Dimmer

DDLE802

8 channel Leading Edge Dimmer Controller at 2 A per channel

The Philips Dynalite DDLE802 is an eight channel leading edge dimmer controller with a maximum load per channel of 2 A. - It is suitable for use with incandescent, low voltage, neon and selected fluorescent fixtures. - Optional manual override LED illuminated service switch Soft start and voltage regulation technologies Naturally ventilated Flexible mounting solution

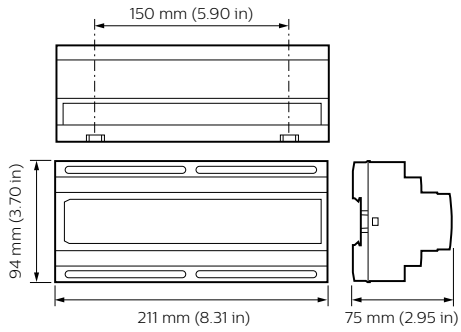
Product data

Informasi Umum	
Tanda CE	Tanda CE
Keterangan	Please download the Lighting - Product Data Sheet for more information and ordering options
Sesuai EU RoHS	Ya
Kondisi Aplikasi	
Kisaran suhu ambien	0 hingga +40 °C
Data Produk	
Kode produk lengkap	871016350500800

Nama produk pesanan	DDLE802
EAN/UPC - Produk	8710163505008
Kode urutan	913703000009
Numerator - Jumlah Per Pak	1
SAP Numerator - Pak per Bagian Luar	1
Material SAP	913703000009
Berat Bersih (Bagian)	0,600 kg

Dynalite Phase-Cut Dimmer

Dimensional drawing



Dynalite Leading Edge Dimmers

